




ATLAS

Wheel Excavator 160MH (with Lift-Cab)



-  16,6 - 17,5 t
-  77 kW (105 HP)
-  0,7 - 1,0 m³



ROBUST. STRONG. STABLE.
160MH

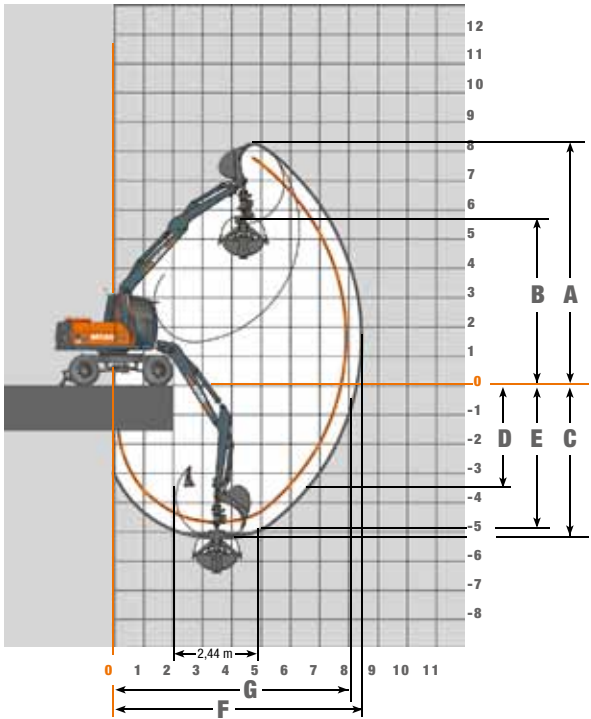
Technical specifications

ENGINE	HYDRAULIC SYSTEM	EQUIPMENT
Power rating acc. to ISO 9249.....77 kW (105 HP)	• AWE 5 system (Load sensing)	BASIC UNIT:
RPM2000/min	• Load limit controlled high-performance pump	• Wheeled excavator with support and dozer blade on steering axle, 2x outrigger support on rigid axle and 2 lifting cylinders (A4.35)
Make / model Deutz / TCD 2012 L04 2V	• Fuel-efficient flow-on-demand control	• Monoblock boom 4.22m (C3.3M)
Design.....Turbocharger	• Suction valves for all work functions	• Stick 2.50m (D33)
Displacement.....4038 cm ³	• Load-retaining a. fine lowering valves in lifting circuit	DRIVER'S CAB:
Number of cylinders 4	• Sensitive, proportional, independent control	• Lift-cabin – 2m elevation
Cooling systemWater-cooled	• Primary and secondary protection against overload	• Air conditioning equipped as standard
Air filter.....Dry air filter	• Pipe-break protection valves for lifting cylinders	• Air-cushioned comfort seat (seat heating optional)
Battery 2 x 12 V / 100 Ah	• Grab / grab-rotating function equipped as standard	• Preparation for radio installation with mute function
Generator..... 24 V / 55 Ah	• Max. oil flow188 l/min	
Starter..... 24 V / 4 kW	• Max. operating pressure360 bar	

TRACTION DRIVE	UNDERCARRIAGE	FILL CAPACITIES
• Max. speed20 km/h	• 28 tons special excavator axles	• Fuel tank 240 litres
• Tractive force.....83.0 kN	• Steering axle with automatic oscillating axle locking	• Engine oil..... 10 litres
• Max. gradeability.....65 %	• 8 tires (twins) 10.00 - 20	• Hydraulic tank 157 litres

DRIVER'S CAB	SWING ASSEMBLY	ATTACHMENTS (SELECTION)
• Meets latest safety standards	• Max. swing speed.....9/min	• Orange peel grab
• Extra large entry zone	• Swing torque 34.7 kNm	• Sorting grapple
• Excellent circumferential visibility*	• Axial piston motor with priority valve	• Clamshell grab
• ISO 6396 (LpA) in driver's cab..... 74 dB(A)	• Automatically controlled multi-disc brake	• Log grab
• 2000/14 EG (LwA) ambience level.... 100 dB(A)	• Planetary transmission	• Load hook
* Lift cab 2 m elevation		

Working ranges Monoblock boom (C3.3M)



Stick length 2.50m (D33)		
A	Max. digging height	8.20 m
B	Max. dumping height	5.50 m
C	Max. digging depth	5.51 m
D	Max. vertical wall digging depth	3.70 m
E	Max. digging depth of cut for 2.44 m level	4.95 m
F	Max. digging reach	8.40 m
G	Max. digging reach at ground level	8.25 m
	Max. bucket digging force	106 kN
	Max. stick digging force	55 kN
	Tail swing radius	1.98 m
	Transport length (C3.3M; D33)	7.25 m
	Transport width	2.50 m
	Transport height (C3.3M; D33)	3.18 m

Lifting capacities Monoblock boom (C3.3M) and stick (D33). Max reach 8.40 m

Height	3,0 m		4,5 m		6,0 m	
	FRONT	LATERAL	FRONT	LATERAL	FRONT	LATERAL
+6,0 m SDB/outriggers raised						
SDB/outriggers supported						
+4,5 m SDB/outriggers raised					3042*	2300
SDB/outriggers supported					3042*	3042*
+3,0 m SDB/outriggers raised			3829*	3390	3203*	2257
SDB/outriggers supported			3829*	3829*	3203*	3203*
+1,5 m SDB/outriggers raised			4541*	3208	3450*	2184
SDB/outriggers supported			4541*	4541*	3450*	3450*
+0 m SDB/outriggers raised	6434*	5360	4898*	3079	3544*	2127
SDB/outriggers supported	6434*	6434*	4898*	4898*	3544*	3451
-1,5 m SDB/outriggers raised	7028*	5368	4646*	3050	3179*	2126
SDB/outriggers supported	7028*	7028*	4646*	4646*	3179*	3179*
-3,0 m SDB/outriggers raised	5187*	5187*	3435*	3116		
SDB/outriggers supported	5187*	5187*	3435*	3435*		

All values in kilogrammes (kg) were determined acc. ISO 10567 and include a stability factor of 1.33 or 87% of the hydraulic lifting capacity. These values are applicable at the top of the arm with optimum positioning of the corresponding arm system and with power boost switched on. *Value limited due to hydraulics.

www.atlasgmbh.com
 ATLAS Maschinen GmbH
 EXCAVATORS
 Atlasstrasse 6
 27777 Ganderkesee, Germany
 T: +49 (0) 4222 954 0
 F: +49 (0) 4222 954 343
 info@atlasgmbh.com

160MH-EN (1) Effective date: August 2010. Product specifications and prices are subject to change without notice or obligation. The photographs and/or drawings in this document are for illustrative purposes only. Refer to the appropriate Operator's Manual for instructions on the proper use of this equipment. Failure to follow the appropriate Operator's Manual when using our equipment or to otherwise act irresponsibly may result in serious injury or death. The only warranty applicable to our equipment is the standard written warranty applicable to the particular product and sale and Atlas makes no other warranty, express or implied. The only warranty applicable to our equipment is the standard written warranty applicable to the particular product and sale and Atlas makes no other warranty, express or implied. Products and services listed may be trademarks, service marks or trade-names of Atlas Maschinen GmbH and/or its subsidiaries. All rights are reserved. Atlas® is a registered trademark of Atlas Maschinen GmbH.
 Copyright © 2010 Atlas Maschinen GmbH.